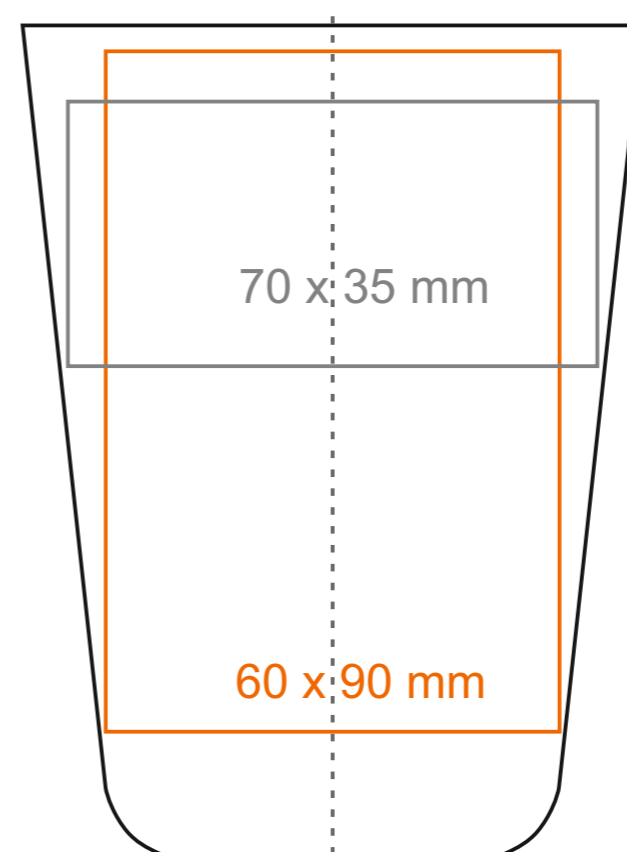
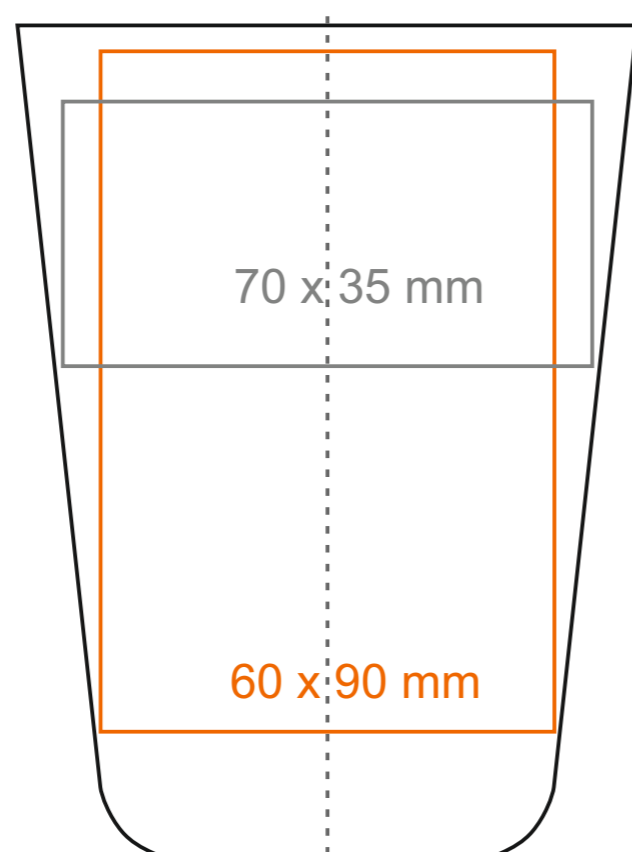
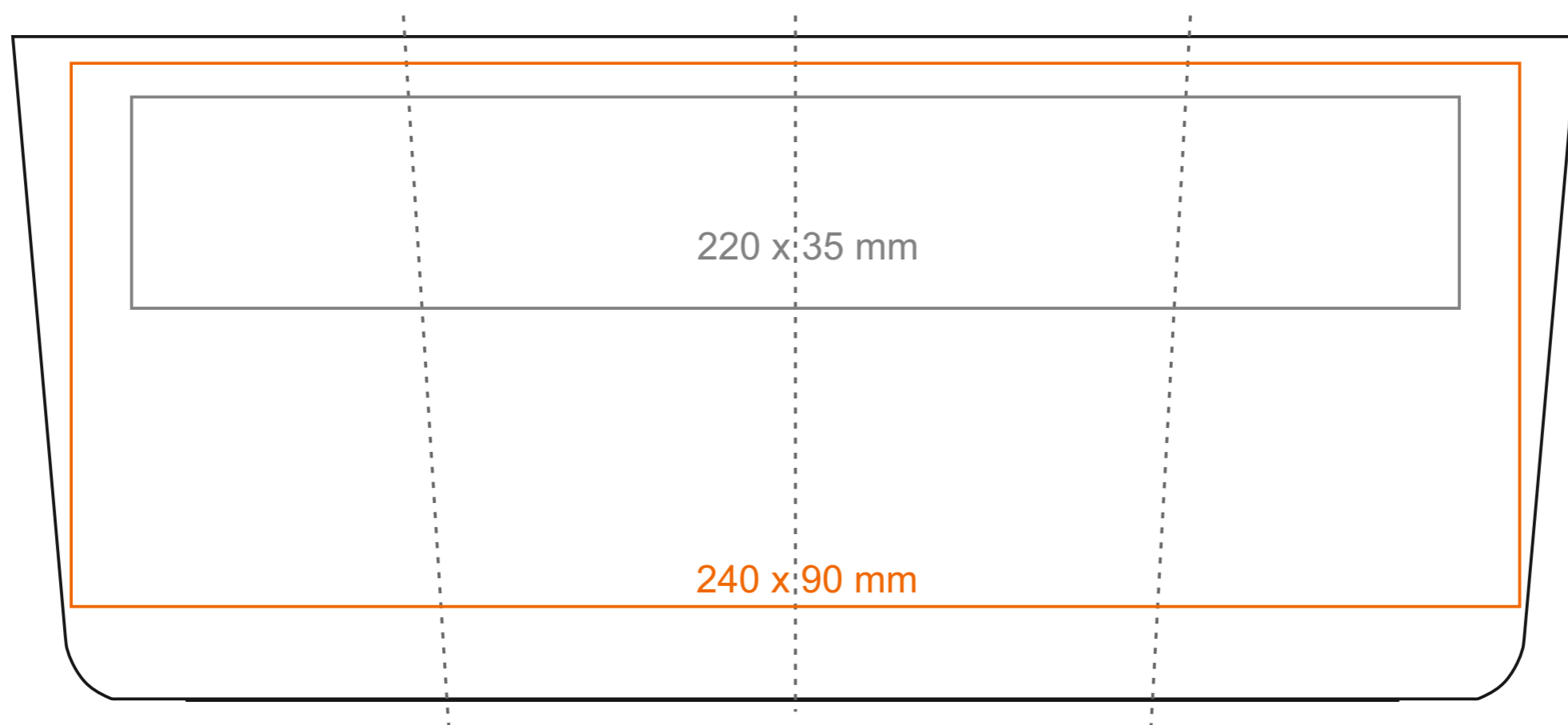


M/140 Prim

250 ml / h: 110 mm / Ø 82 mm



Imprint on the inside - 45 x 15 mm
 Imprint on the bottom outside - Ø 25 mm

*In the case of projects for transfer print running outside of the standard print area, please contact our sales department.

[How to prepare print material](#)

meaning

- Transfer Print
- Sensitive Touch
- Direct Print