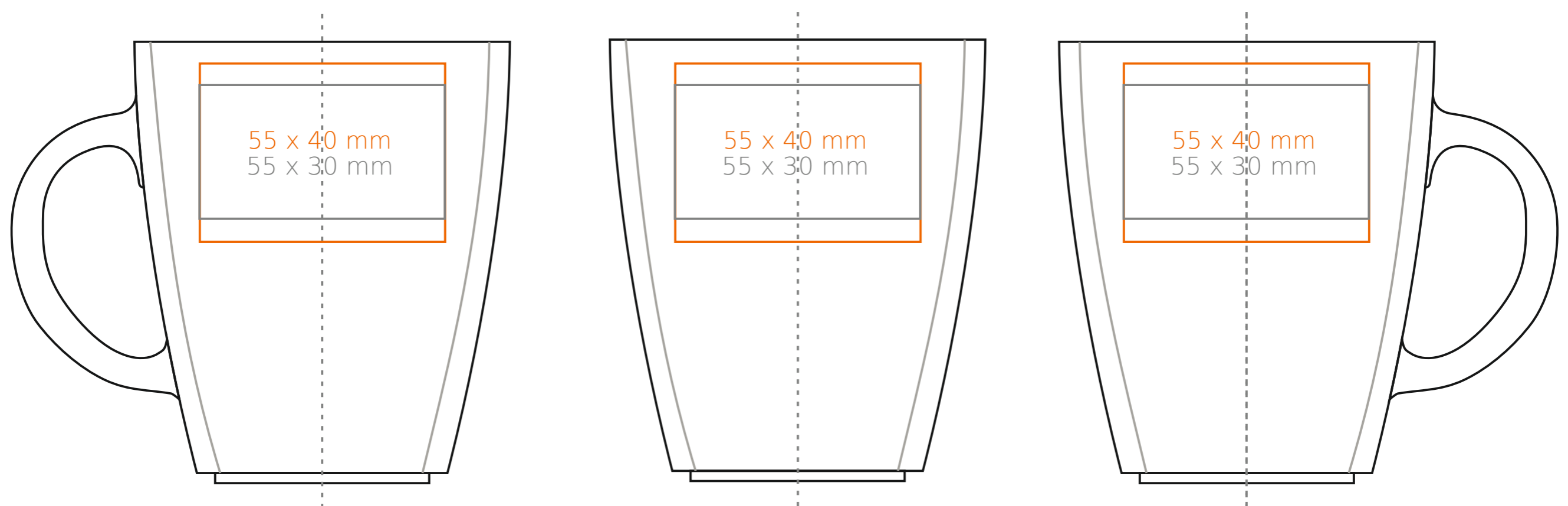


M_108 Manhattan

330 ml / h: 99 mm / Ø 84 mm



| | |
|-------------------------------|--------------|
| Imprint on the handle | - 50 x 10 mm |
| Imprint on the inside | - 40 x 20 mm |
| Imprint on the bottom inside | - Ø 30 mm |
| Imprint on the bottom outside | - Ø 30 mm |

*In the case of projects for transfer print running outside of the standard print area, please contact our sales department.

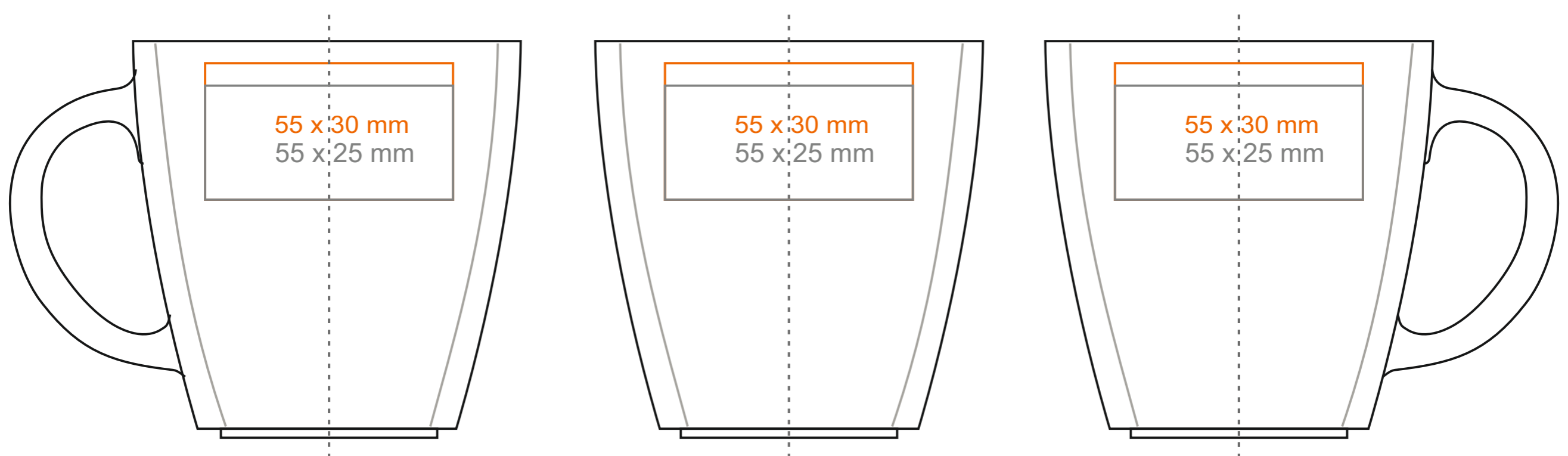
[How to prepare print material](#)

meaning

- Transfer Print
- Sensitive Touch
- Direct Print

M_108 Manhattan

280ml / h: 88 mm / Ø 84 mm



Imprint on the handle
 Imprint on the inside
 Imprint on the bottom inside
 Imprint on the bottom outside

- 50 x 10 mm
- 40 x 20 mm
- Ø 30 mm
- Ø 30 mm

*In the case of projects for transfer print running outside of the standard print area, please contact our sales department.

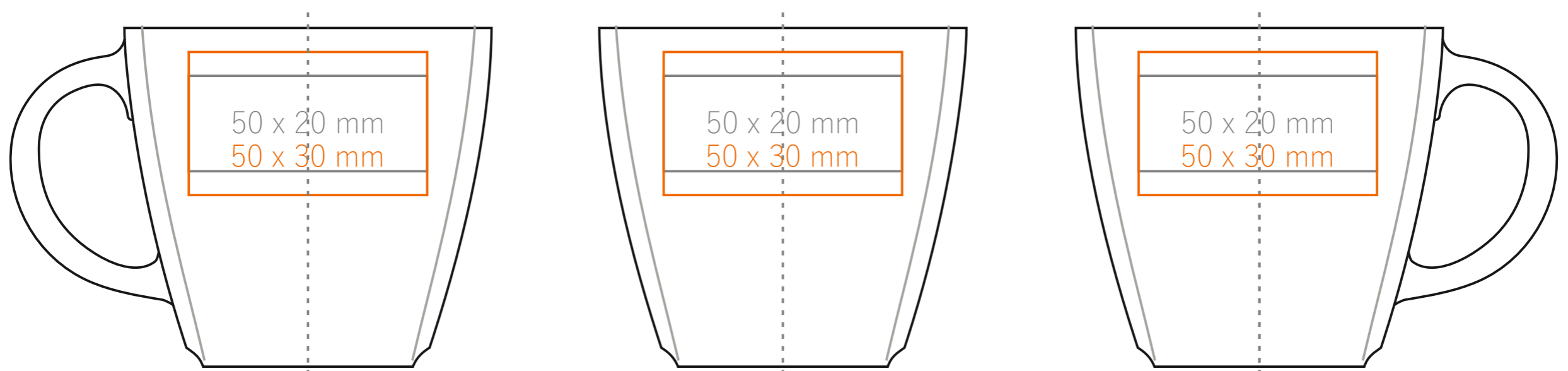
[How to prepare print material](#)

meaning

- Transfer Print
- Sensitive Touch
- Direct Print

M_108 Manhattan

200 ml / h: 71 mm / Ø 77 mm






- Imprint on the handle - 40 x 8 mm
- Imprint on the inside - 40 x 15 mm
- Imprint on the bottom inside - Ø 30 mm
- Imprint on the bottom outside - Ø 30 mm

*In the case of projects for transfer print running outside of the standard print area, please contact our sales department.

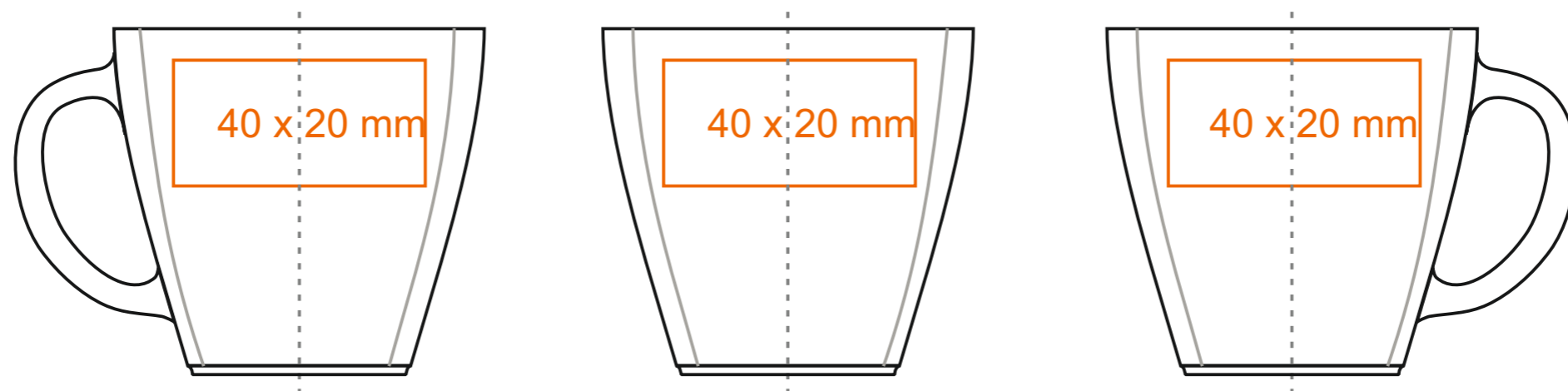
[How to prepare print material](#)

meaning

-  Transfer Print
-  Sensitive Touch
-  Direct Print

M_108 Manhattan

90 ml / h: 55 mm / Ø 59 mm



| | |
|-------------------------------|--------------|
| Imprint on the handle | - 30 x 5 mm |
| Imprint on the inside | - 30 x 10 mm |
| Imprint on the bottom inside | - Ø 20 mm |
| Imprint on the bottom outside | - Ø 15 mm |

*In the case of projects for transfer print running outside of the standard print area, please contact our sales department.

[How to prepare print material](#)

meaning

- Transfer Print
- Sensitive Touch